

QUADRANS-ATLANS

INTERFACE PLATE

PRODUCT DESCRIPTION

I DESCRIPTION

The interface plate is used between QUADRANS-ATLANS and the vehicle structure to ensure good planarity of the surface. To ensure mechanical mounting repeatability when QUADRANS or ATLANS is removed and reinstalled alignment pins are necessary.

The QUADRANS-ATLANS interface plate kit (ref. SME00569) is composed of the following items:

Name	Number
QUADRANS-ATLANS Interface Plate	1
Screw CZX – M4x10 INOX A4	3

To get details about how to install the QUADRANS or ATLANS product with its interface plate, please refer to the “Inertial Products – Application Note – Mechanical Integration of Inertial Systems” document (Ref.: MU-MECHAAPN-AN-001).

II MECHANICAL DRAWING

The Figure 1 - QUADRANS-ATLANS and its interface plate (see page 3) describes:

- the QUADRANS-ATLANS interface plate that will be fixed onboard
- all dimensions of QUADRANS-ATLANS and its interface plate in millimeters and in inches
- the type of screws and the torque to be applied in order to fix the interface plate

PAGE LEFT INTENTIONALLY BLANK

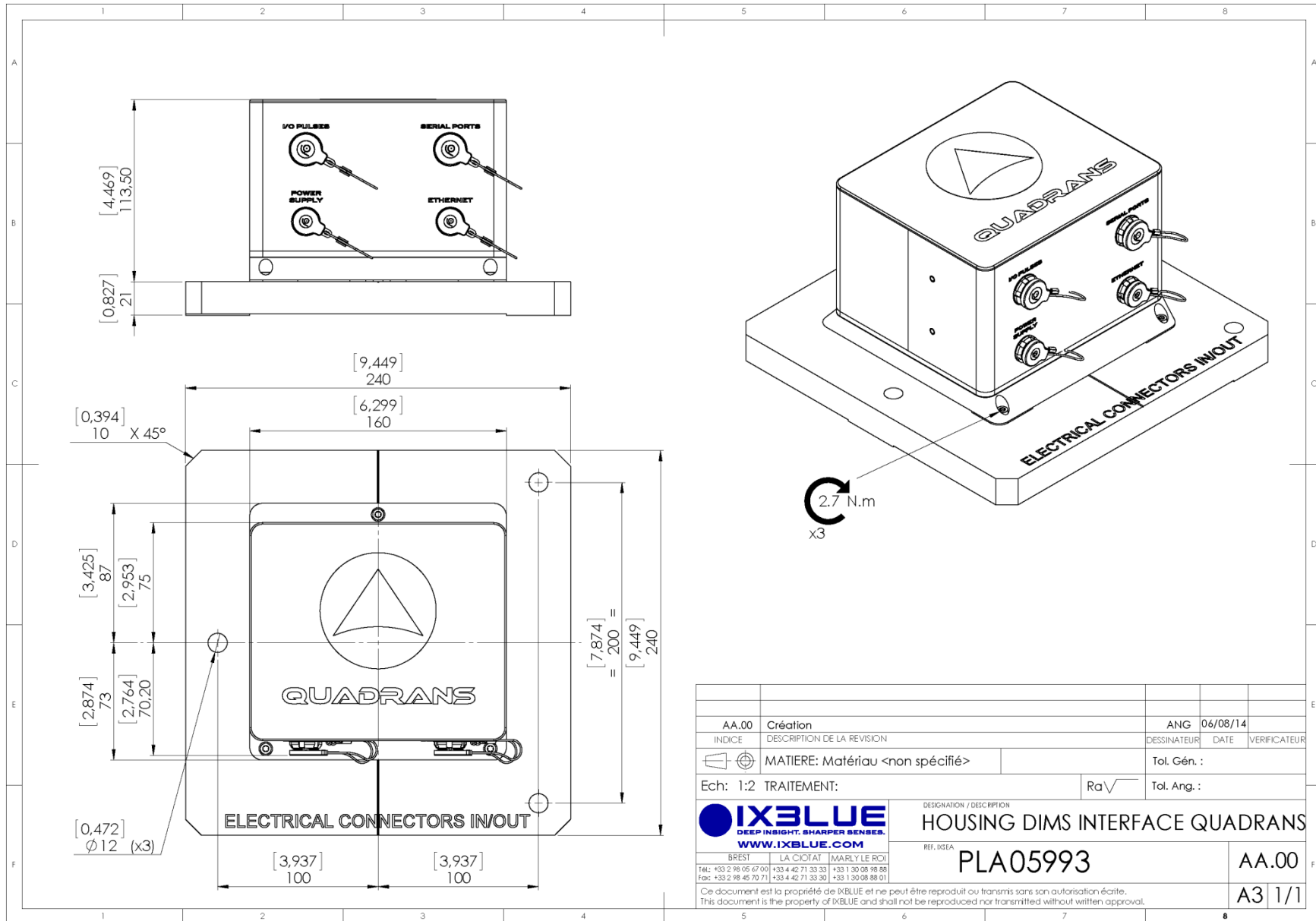


Figure 1 - QUADRANS-ATLANS and its interface plate