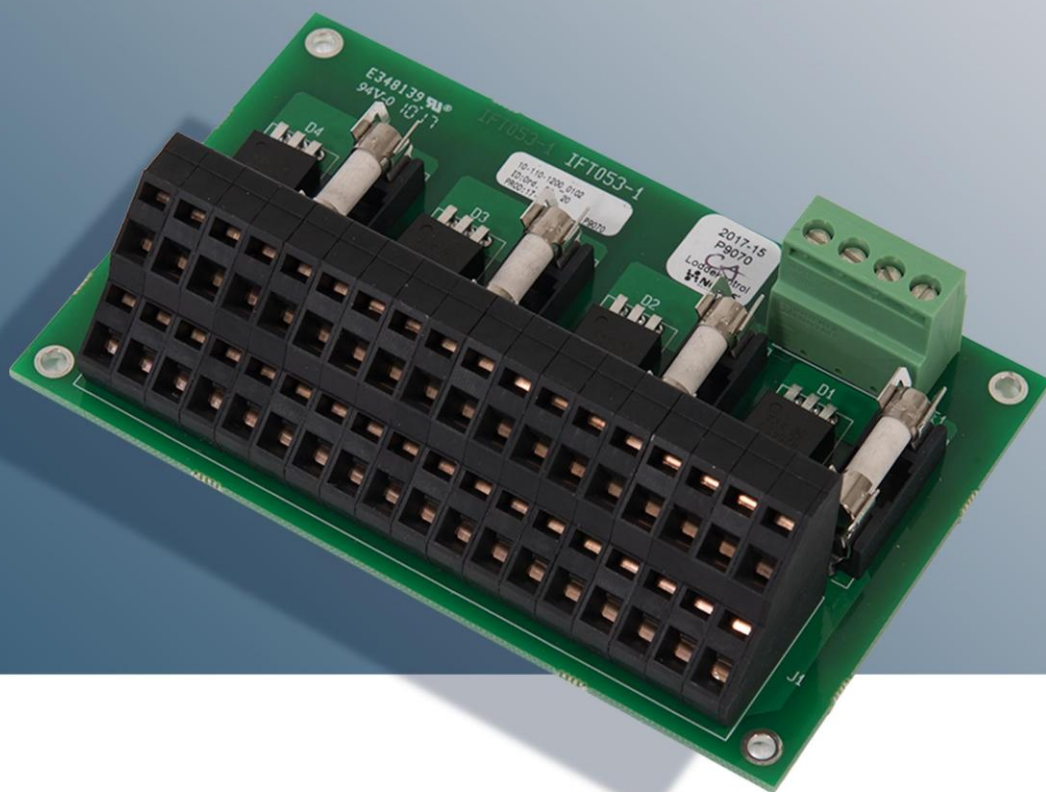


PDU

Power Distribution Unit



Power Distribution Unit.
Distributing 24V DC power to intercom stations

Description and use

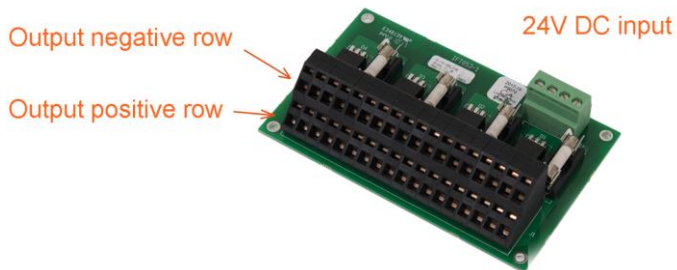
The PDU is used for distributing 24V DC power to intercom stations. It fits into all SeaCom exchange systems. It uses constant force spring-loaded screw less connection block for connecting ship cables. This ensures for long lifetime without screws loosening from vibration

The PDU distributes power to up to 18 stations. These are divided into 4 groups, each protected by its own fuse.

The PDU has two power inputs: main and battery, and there is a summing diode for each fuse group

The PDU is mounted using 4 pcs of 3x6mm screws. These are not included when ordering.

When using the PDU for customized designs, the PDU shall be mounted on 5mm high standoffs.



Power output connector J1:

Number	Use
1	+24V group 1
3	+24V group 1
5	+24V group 1
7	+24V group 1
9	+24V group 2
11	+24V group 2
13	+24V group 2
15	+24V group 2
17	+24V group 3
19	+24V group 3
21	+24V group 3
23	+24V group 3
25	+24V group 3
27	+24V group 4
29	+24V group 4
31	+24V group 4
33	24V + group 4
35	24V + group 4

Technical data

- 15-36V DC operating voltage
- 2 power inputs max. 10A
- 18 power outputs max. 1A
- 1,5mm² max

Order information

10-110-1200

Connectors

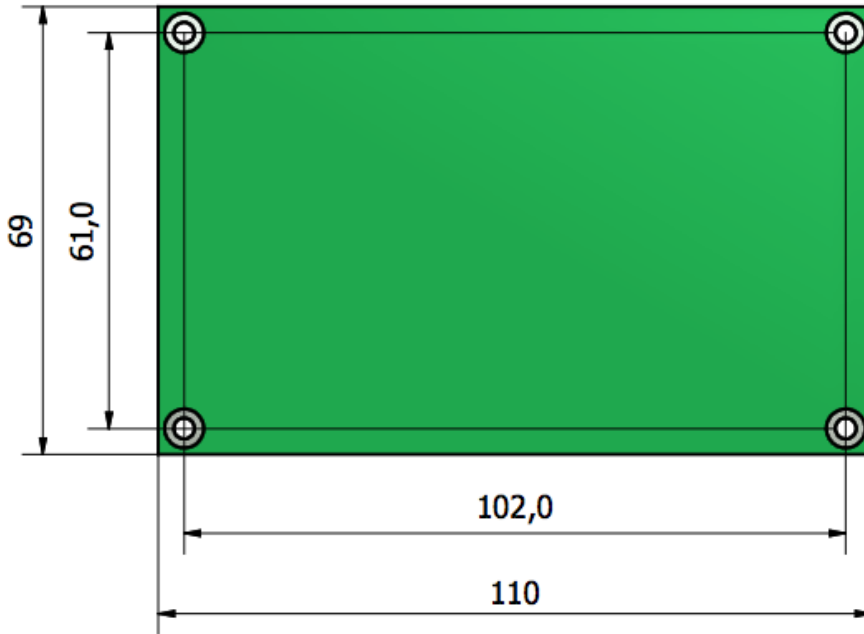
Power input connector J2:

Number	Use
1	Main 24V +
2	Main 24V -
3	Battery 24V +
4	Battery 24V -

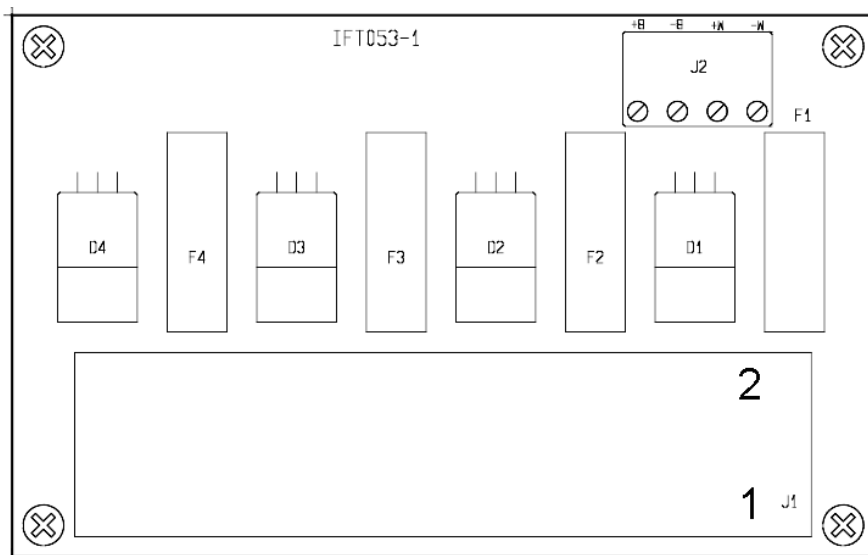
Power output connector J1:

Number	Use
2	-24V
4	-24V
6	-24V
8	-24V
10	-24V
12	-24V
14	-24V
16	-24V
18	-24V
20	-24V
22	-24V
24	-24V
26	-24V
28	-24V
30	-24V
32	-24V
34	-24V
36	-24V

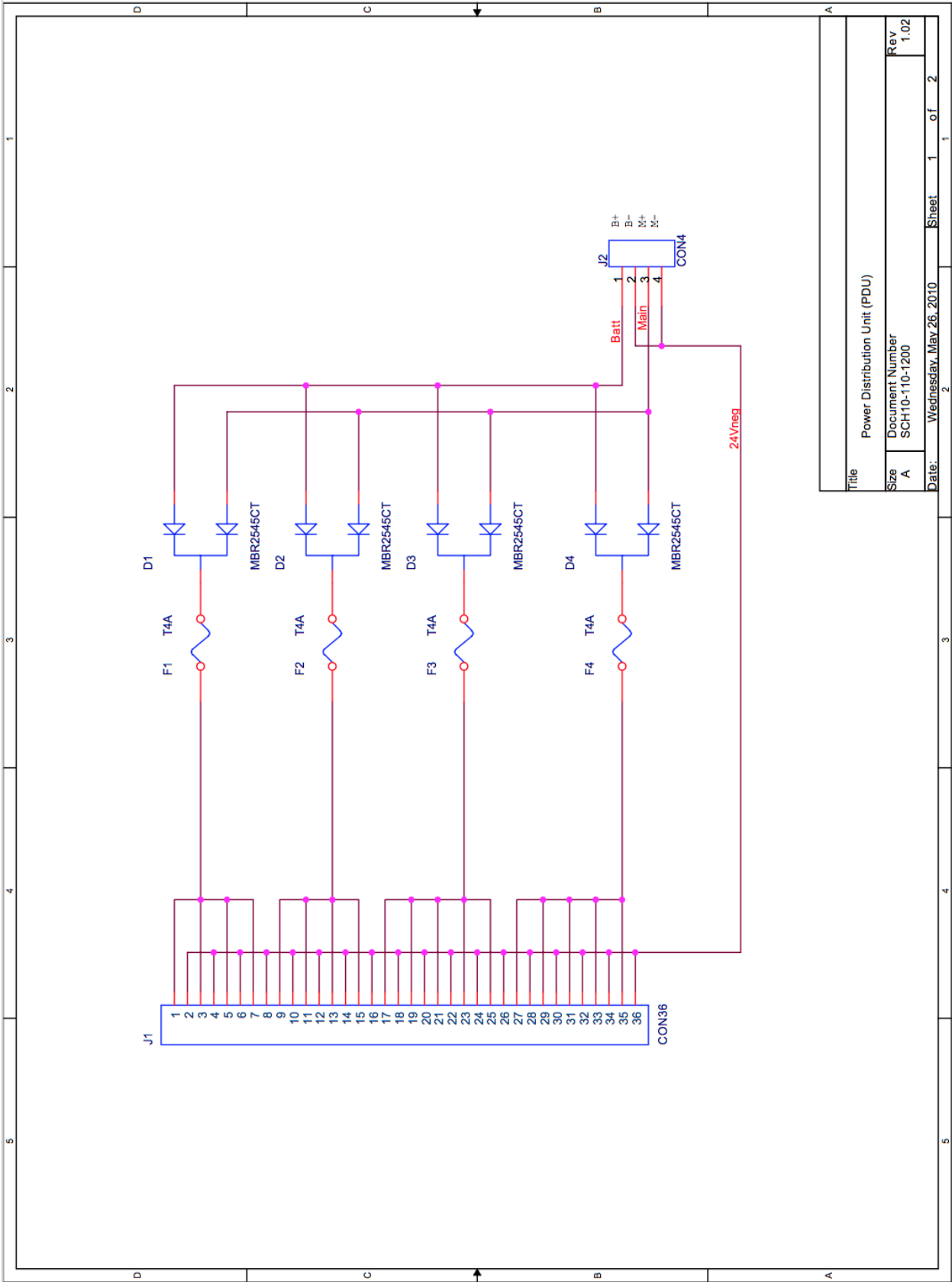
Mechanical dimensions



PCB layout



Schematic



Title		Power Distribution Unit (PDU)	
Size	A	Document Number	SCH10-110-1200
Date:	Wednesday, May 26, 2010	Sheet	1 of 2
Rev		1.02	