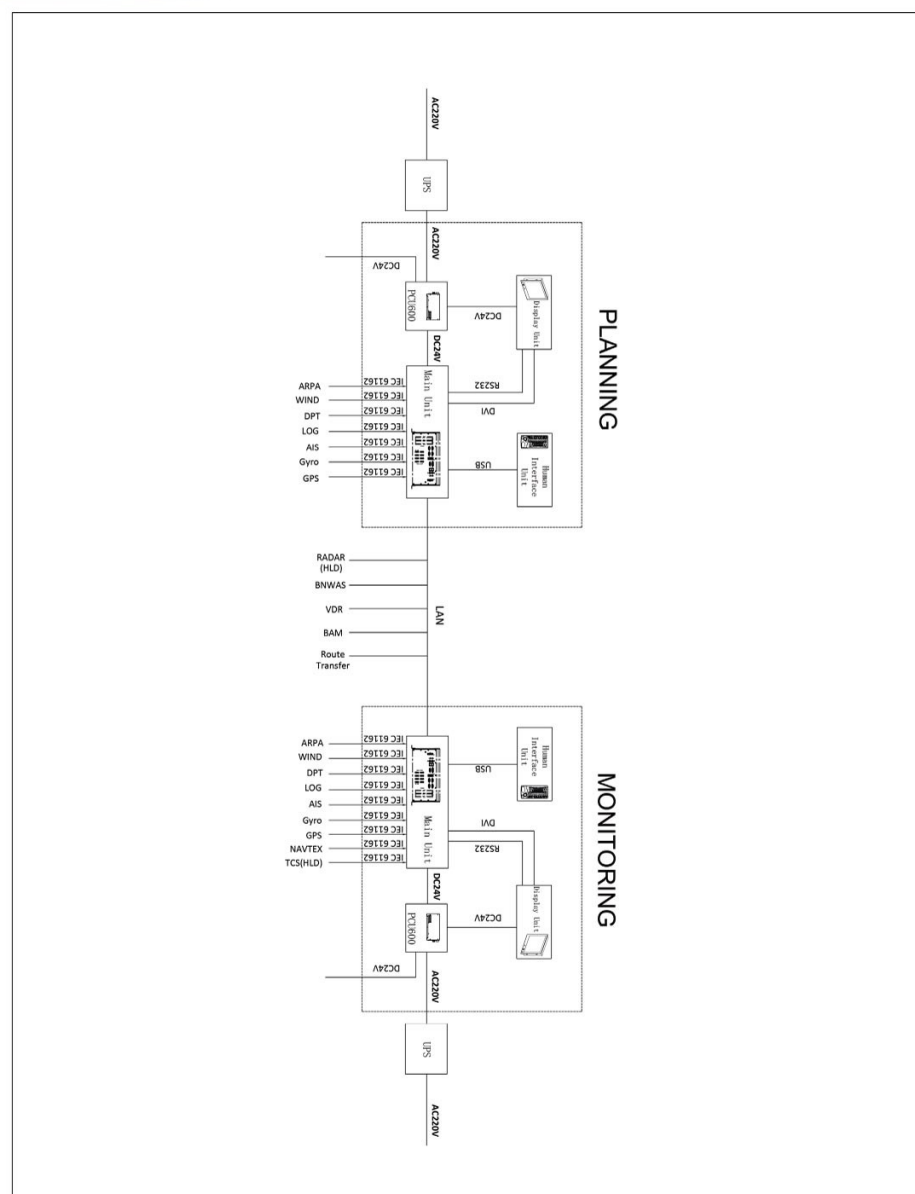


[Configuration]



Standard Configuration

- Processor Unit HLD-MCU 600
- Display Unit (24") HLD-DU 134
- Control Unit HLD-IU 600
- Certificate ECDIS 100 (M)
- Documents
- DOCUMENTS

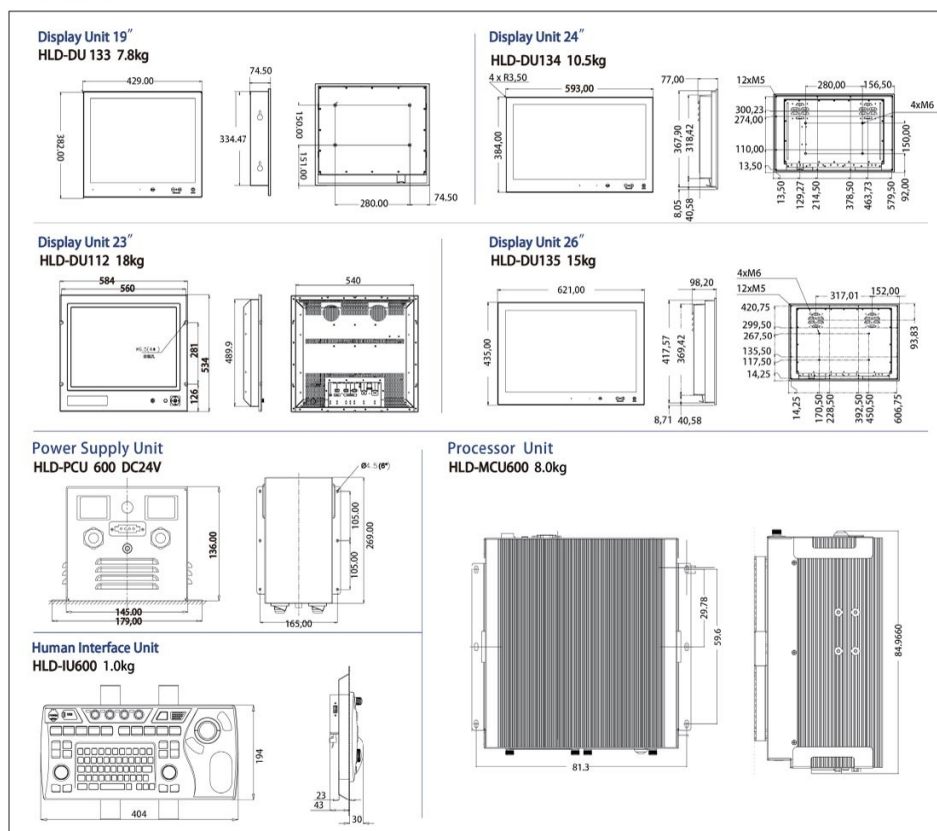
Optional

- Power Supply Unit
- Qin Desktop Stand
- Desk Bracket
- Serial data server
- Display Unit

- HLD-PSU 600
- HLD-SM 200
- HLD-DM 200
- HLD-SPS 100
- HLD-DU 133 19"
- HLD-DU 112 23.1"
- HLD-DU 134 24"
- HLD-DU 135 26"
- HLD-DU 140 24"
- HLD-DU 141 26"

- U disk with chart Data
- DVD drive
- Remote USB interface
- Remote power switch
- UPS Power
- Radar image card
- TCS interface
- Internet switch

[Dimensional Drawings]



24 Hours  
Tel: +65 6377 3096  
Fax: +65 6252 9307  
Email: service@highlander.sg

Highlander Marine (Asia-Pacific) Pte Ltd  
1 Sunview Road, #08-43 Eco-Tech@Sunview Singapore 627615  
Tel: +65 6377 3096 Fax: +65 6252 9307  
Email: sales@highlander.sg / service@highlander.sg  
Webste: www.highlander.sg

All rights reserved. We reserved the rights to change the specifications without notice. Information are for reference only and does not constitute as contractual agreement.

China Classification Society (CCS) Type Approval  
EU MED B + D Type Approval  
DNV-GL Type Approval

**ECDIS**  
ELECTRONIC CHART DISPLAY AND INFORMATION SYSTEM  
HLD-ECDIS 600

Highlander  
Highlander Marine (Asia-Pacific) Pte Ltd