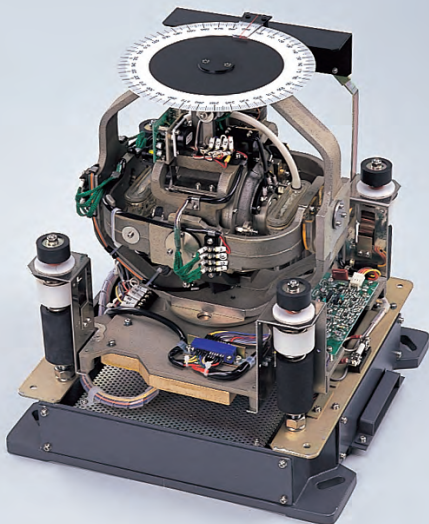


Compact Gyrocompass

ES-110

Synchro Motor Output



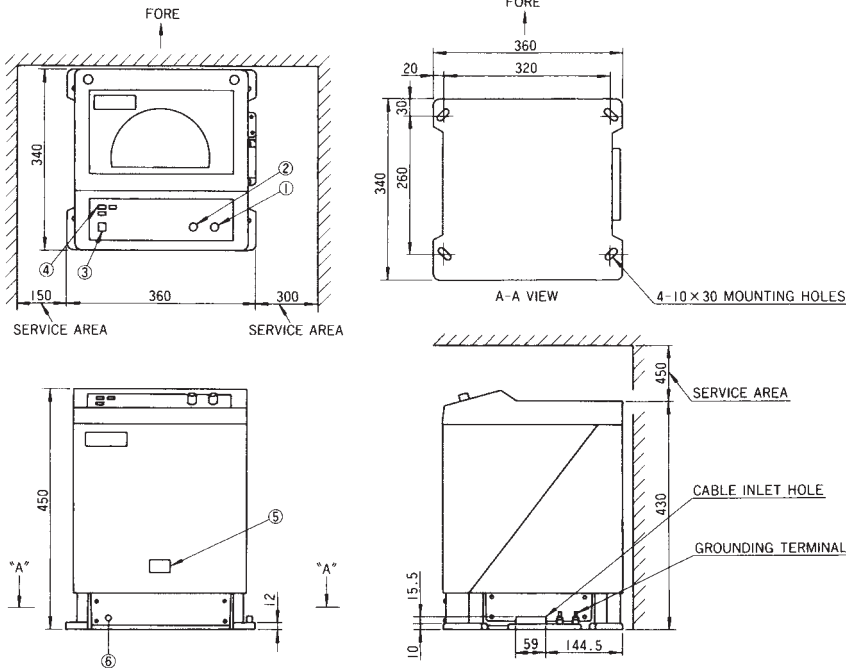
Model ES-110, the newest type of ES series, is a compact and popularized gyrocompass. It is especially designed for medium and small vessels' uses, by TOKYO KEIKI's latest mechatronics technology.

ES-110 gyrocompass can also be used as a direction sensor for a lot of navigational equipment.

Compact Gyrocompass ES-110

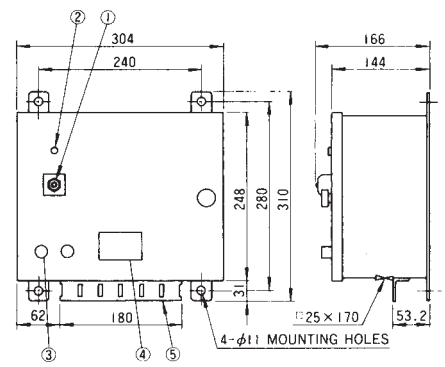
●Dimensions

Master Compass MASS 32 kg



No.	NAME	No.	NAME
1	POWER SWITCH	4	INDICATING LAMPS
2	LAT. CORRECT KNOB	5	NAME PLATE
3	DIMMER SWITCH	6	FUSE

Power Supply Unit MASS 12 kg



No.	NAME
1	POWER SWITCH
2	RUNNING LAMP
3	FUSE
4	NAME PLATE
5	CABLE CLAMP

●Basic Specifications

Main Power Supply	AC100V 1 ϕ 50/60 Hz for Master Compass at starting 250 VA in normal operation 100VA for one Repeater Compass 40VA Voltage Fluctuation - 20 % ~ + 30 % Frequency Fluctuation \pm 5 %
Emergency Power Supply	DC24 V (only for Master Compass)
Ambient Temperature	- 10 °C ~ 50 °C (at operation)
Settling Time	within 4 hours at Latitude 35°
Settling Point Error	less than \pm 1°
Follow-UP Speed	24°/sec
Gimbal Freedom	\pm 40° for both rolling and pitching
Latitude Error Correction	Manual (0 ~ \pm 70°)
Repeater Type	90 \times Synchro Motor AC100 V 50/60 Hz (7 circuits)
Optional Output	1 \times Synchro (15C \times 4)

Design and specifications are subject to change without prior notice, and without any obligation on the part of the manufacturer.



CAUTION

Before operating this equipment, you should first thoroughly read the operator's manual.

TOKYO KEIKI

TOKYO KEIKI INC.

www.tokyo-keiki.co.jp/marine/

Marine Systems Company

Head Office

2-16-46, Minami-Kamata, Ohta-ku, Tokyo 144-8551 JAPAN
Tel. +81-3-3737-8611 Fax. +81-3-3737-8663

TOKYO KEIKI (SHANGHAI) CO., LTD.

C-1407, Orient International Plaza, No.85 Lou Shan Guan Rd., Shanghai 200336. CHINA
Tel. +86-21-3223-1252 Fax. +86-21-6278-7667

TOKYO KEIKI U.S.A., INC.

625 Fair Oaks Ave, Suite190, South Pasadena, California 91030 U.S.A.
Tel. +1-626-403-1500 Fax. +1-626-403-7400

Busan Liaison Office

Shindonga bldg. Room 1003, 749-1 Gayadaero, Busanjin-gu, Busan 614-783, KOREA
Tel. +82-51-802-2190 Fax. +82-51-802-2188

Singapore Branch

No.2 Jalan Rajah #07-26/28, Golden Wall Flatted Factory, Singapore 329134
Tel. +65-6254-1877 Fax. +65-6254-1745