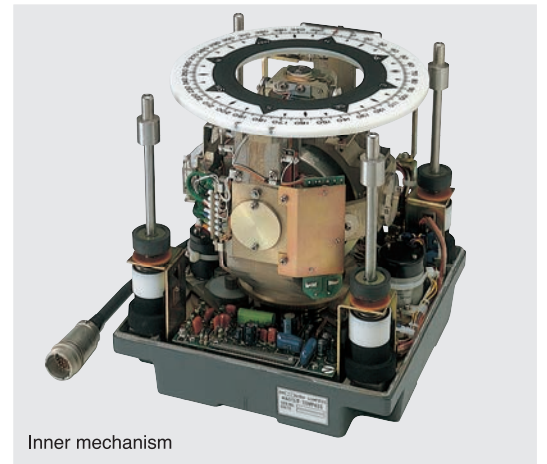


TOKYO KEIKI

Small Gyrocompass GM-20/21

Now, thanks to the employment of state-of-the-art TOKYO KEIKI technology, even operators of small commercial vessels and fishing boats can enjoy the advantages of a gyrocompass for heading reference and do so at reasonable cost. Of course, as the specially designed GM-20/21 gives gyrocompass benefits, it also eliminates the inconveniences associated with conventional magnetic compasses.

There's an automatic preset startup feature with a 24-hour range, so the GM-20/21 can be made all ready to go for the next trip. In addition, if a synchro amplifier is used with the GM-21, up to three repeater compasses can be connected to the GM-21, up to three repeater compasses can be connected. The GM-20/21 is comprised of a master compass, which is normally mounted on top of the static inverter. If available space is limited, the static inverter can be remotely located on the bulkhead.



Inner mechanism



Synchro amplifier

TOKYO KEIKI INC.

FEATURES

●Compact Design

The GM-20/21 measures only 228 × 321 × 377 mm, so it can be easily installed on fishing boats and other small commercial vessels.

●Low Power Consumption

Power consumption is only 50 VA (for master compass).

●Ease Of Operation

●Direct Reading And Synchro Output

Direct reading simplifies use considerably, and synchro output provides for low-cost autopilot steering.

●Three Repeater Compass Circuits

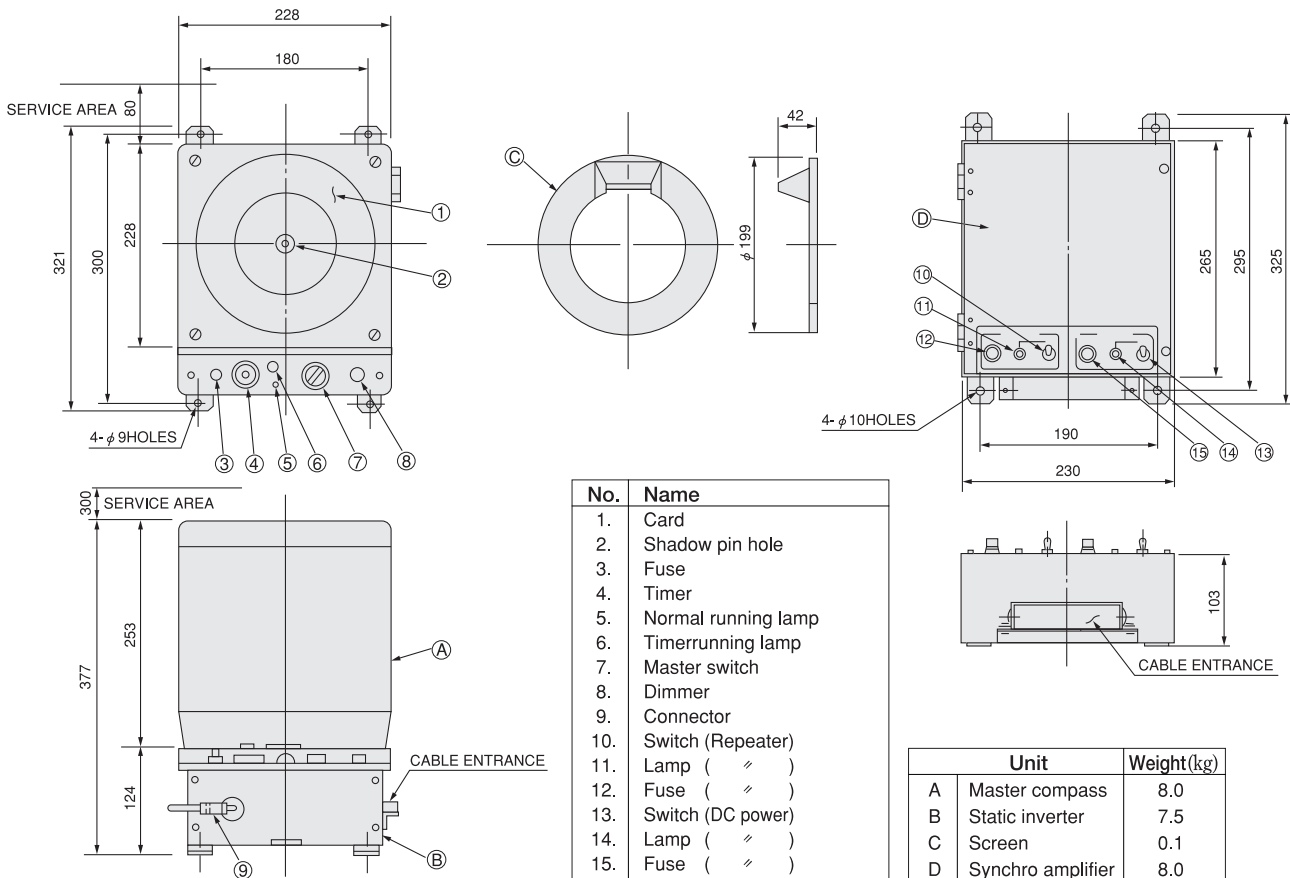
●Automatic Preset Startup

A 24-hour timer permits automatic startup.

SPECIFICATIONS

Power Supply	AC 100/110, 1 φ, 50/60 Hz, 60 VA (for repeater compass) DC 24 V, 2 A (with only master compass running)
Voltage Fluctuation	± 20%
Ambient Temperature	+ 50 °C — - 20 °C
North-seeking	
Accuracy	Within ± 2°
Follow-up Accuracy	Within ± 0.1°
Setting Time	Less than 4 hours
Mechanical Freedom	± 45°
Maximum Turning	
Follow Up Speed	Turning ratio of 10 sec/rev
Repeater	90× synchro motor (3 circuits)

Specifications are subject to change without notice.



If the bottom power supply unit is separated, the device can be mounted on a wall(separate type).

Design and specifications are subject to change without prior notice, and without any obligation on the part of the manufactures.

⚠ CAUTION	Before operating this equipment, you should first thoroughly read the operation manual.
------------------	---



TOKYO KEIKI INC.

Marine Systems Company

www.tokyo-keiki.co.jp/marine/

Head Office	2-16-46, Minami-Kamata, Ohta-ku, Tokyo 144-8551, JAPAN	TEL.+81-3-3737-8611	FAX.+81-3-3737-8663
TOKYO KEIKI (SHANGHAI) CO., LTD.	C-1407, Orient International Plaza, No.85 Lou Shan Guan Rd., Shanghai 200336. CHINA	TEL.+86-21-3223-1252	FAX.+86-21-6278-7667
TOKYO KEIKI U.S.A., INC.	625 Fair Oaks Ave, Suite190, South Pasadena, California 91030 U.S.A.	TEL.+1-626-403-1500	FAX.+1-626-403-7400
Busan Liaison Office	Shindonga bldg. Room 1003, 749-1 Gayadaero, Busanjin-gu, Busan 614-783, KOREA	TEL.+82-51-802-2190	FAX.+82-51-802-2188
Singapore Branch	No. 2 Jalan Rajah #07-26/28, Golden Wall Flatted Factory, Singapore 329134	TEL.+65-6254-1877	FAX.+65-6254-1745